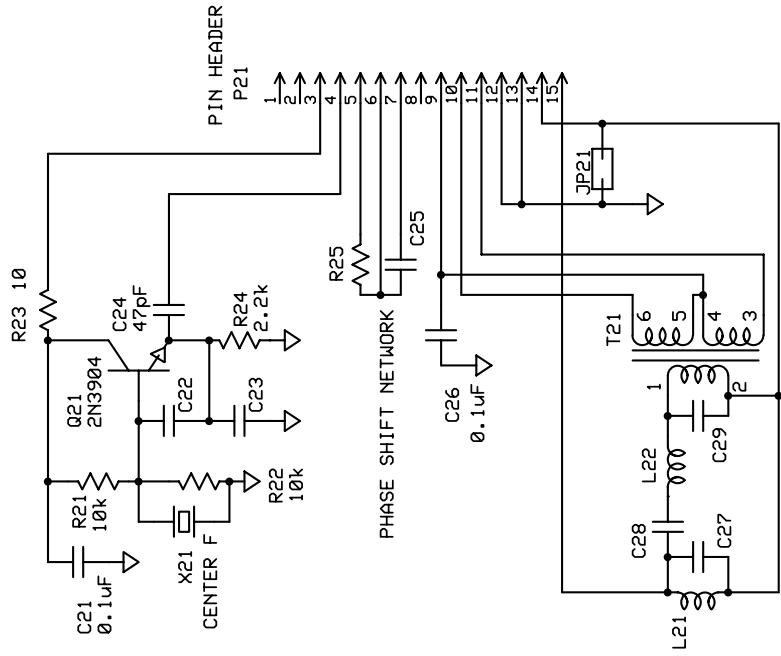


OSC/BPF BOARD



Band specific component values

| | | | | | | | |
|------------------|-------|-----|-------|-------|------------|-------|------------------|
| Xt _{a1} | C22 | C25 | L21 | C27 | T21 | C29 | T21 |
| 7.038MHz | 270pF | 1k | 150pF | 470pF | T30-2, 21T | 180pF | T30-2, 13T/6T/6T |
| 14.06MHz | 180pF | 1k | 47pF | 270pF | T30-6, 16T | 100pF | T30-6, 10T/5T/5T |

FLEX RADIO FRIENDS

SoftRock_v5.0

Tony KB9YIG

Rev 5.0
11/25/2005

Page 1 of 1